

JVC

SERVICE MANUAL

AUDIO/VIDEO CONTROL RECEIVER

RX-6000VBK / RX-6001VGD

Supplement

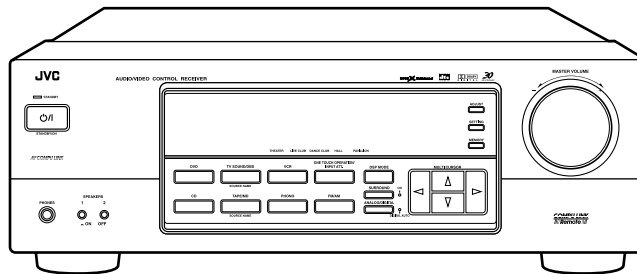
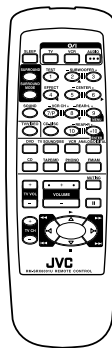
Area Suffix

UF ----- China

This model is UF version that is added to the preceding model, the RX-6000VBK/RX-6001VGD. Therefore the service manual for this model is consisting of Parts list only(difference point). For others, please refer to the service manual for RX-6000VBK/RX-6001VGD (issue No.20841).

Each difference point

Model	Color
RX-6000VBK	Black
RX-6001VGD	Gold

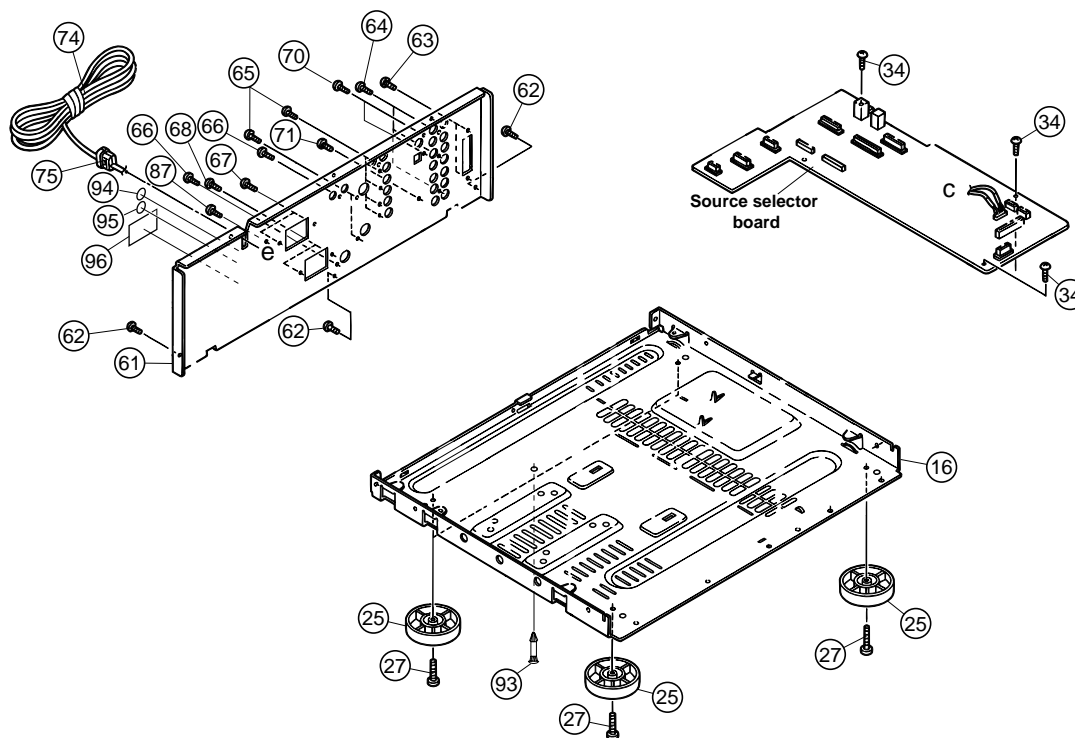


■ Parts list (General assembly)

P3-4

Block No. M1MM

⚠	Item	Parts name	RX-6000VBK(U)		RX-6000VBK(UF)	
			Parts number	Q'ty	Parts number	Q'ty
	34	T.SCREW	QYSBSG3008E	4	QYSBSG3008E	3
	36	FFC WIRE(FW304)	QUQC12-2715CJ	1	QUQ412-2715CJ	1
	37	FFC WIRE(FW811)	QUQC12-1316CJ	1	QUQ412-1316CJ	1
	42	H.S BKT(REAR SIDE)	E310172-001SM	1	E310172-003SN	1
	61	REAR PANEL	LV20555-012A	1	LV20555-018A	1
	69	SPECIAL SCREW	QYSBSGY3008M	1	-----	-
⚠	74	POWER CORD	QMP3900-200L	1	QMPR100-200-JC	1
⚠	80	FUSE(F801)	QMF51E2-5R0-J1	1	QMF51E2-2R5-J1	1
⚠	83	FUSE(F803)	QMF51E2-2R5-J1	1	-----	-
	88	SPECIAL SCREW	QYSBSGY3008M	2	-----	-
	93	FASTENER	-----	-	LV30384-001A	1
	94	CCIB LABEL	-----	-	LV41768-001A	1
	95	CCEE LABEL	-----	-	E409372-001	1
	96	UF LABEL	-----	-	LV30092-092A	1



■ Electrical parts list (FL display&System control board)

P3-6

Block No. 01

⚠	Item	Parts name	RX-6000VBK(U)	RX-6000VBK(UF)
			Parts number	Parts number
	C 563	M.CAPACITOR	QFLC1HJ-103Z	QFN31HJ-103Z
	C 727	M.CAPACITOR	QFLC1HJ-103Z	QFN31HJ-103Z
	C 728	M.CAPACITOR	QFLC1HJ-103Z	QFN31HJ-103Z
	C1512	M.CAPACITOR	QFLC1HJ-103Z	QFN31HJ-103Z
	C1543	M.CAPACITOR	QFLC1HJ-473Z	QFN31HJ-473Z
	C1544	M.CAPACITOR	QFLC1HJ-473Z	QFN31HJ-473Z

■ Electrical parts list (Power supply&Main board)

P3-9

Block No. 02

△	Item	Parts name	RX-6000VBK(U)		RX-6000VBK(UF)	
			Parts number		Parts number	
	C 512	M.CAPACITOR	QFLC1HJ-103Z		QFN31HJ-103Z	
	C 543	M.CAPACITOR	QFLC1HJ-473Z		QFN31HJ-473Z	
	C 544	M.CAPACITOR	QFLC1HJ-223Z		QFN31HJ-223Z	
	C 581	M.CAPACITOR	QFLC1HJ-473Z		QFN31HJ-473Z	
	C 582	M.CAPACITOR	QFLC1HJ-223Z		QFN31HJ-223Z	
	C 771	M.CAPACITOR	QFLC1HJ-473Z		QFN31HJ-473Z	
	C 772	M.CAPACITOR	QFLC1HJ-473Z		QFN31HJ-473Z	
	C 773	M.CAPACITOR	QFLC1HJ-223Z		QFN31HJ-223Z	
	C 774	M.CAPACITOR	QFLC1HJ-223Z		QFN31HJ-223Z	
	EP800	GRAND TERMINAL	E409182-001SM		-----	
	FC805	FUSE CLIP	QNG0020-001Z		-----	
	FC806	FUSE CLIP	QNG0020-001Z		-----	
	LA801	T6R3 FUSE LABEL	E67132-T5R0		-----	
△	VS801	VOLTAGE SWITCH	QSW0812-001		-----	

■ Electrical parts list (Source selector board)

P3-13

Block No. 03

△	Item	Parts name	RX-6000VBK(U)		RX-6000VBK(UF)	
			Parts number		Parts number	
	C 181	M.CAPACITOR	QFLC1HJ-562Z		QFN31HJ-562Z	
	C 182	M.CAPACITOR	QFLC1HJ-562Z		QFN31HJ-562Z	
	C 305	M.CAPACITOR	QFLC1HJ-182Z		QFN31HJ-182Z	
	C 306	M.CAPACITOR	QFLC1HJ-182Z		QFN31HJ-182Z	
	C 307	M.CAPACITOR	QFLC1HJ-682Z		QFN31HJ-682Z	
	C 308	M.CAPACITOR	QFLC1HJ-682Z		QFN31HJ-682Z	
	C 373	M.CAPACITOR	QFLC1HJ-153Z		QFN31HJ-153Z	
	C 374	M.CAPACITOR	QFLC1HJ-153Z		QFN31HJ-153Z	
	C1007	M.CAPACITOR	QFLC1HJ-223Z		QFN31HJ-223Z	
	C1008	M.CAPACITOR	QFLC1HJ-223Z		QFN31HJ-223Z	

■ Parts list(Packing)

P3-23

Block No. M2MM

△	Item	Parts name	RX-6000VBK(U)		RX-6000VBK(UF)	
			Parts number	Q'ty	Parts number	Q'ty
	P 1	PACKING CASE	LV30044-0E6A	1	LV20806-003A	1
	P 2	PACKING PAD(F)	LV20231-001A	1	LV20231-201A	1
	P 3	PACKING PAD(R)	LV20232-001A	1	LV20232-201A	1
	P 4	SHEET	LV32034-001A	2	-----	-

■ Parts list(Accessories)

P3-23

Block No. M3MM

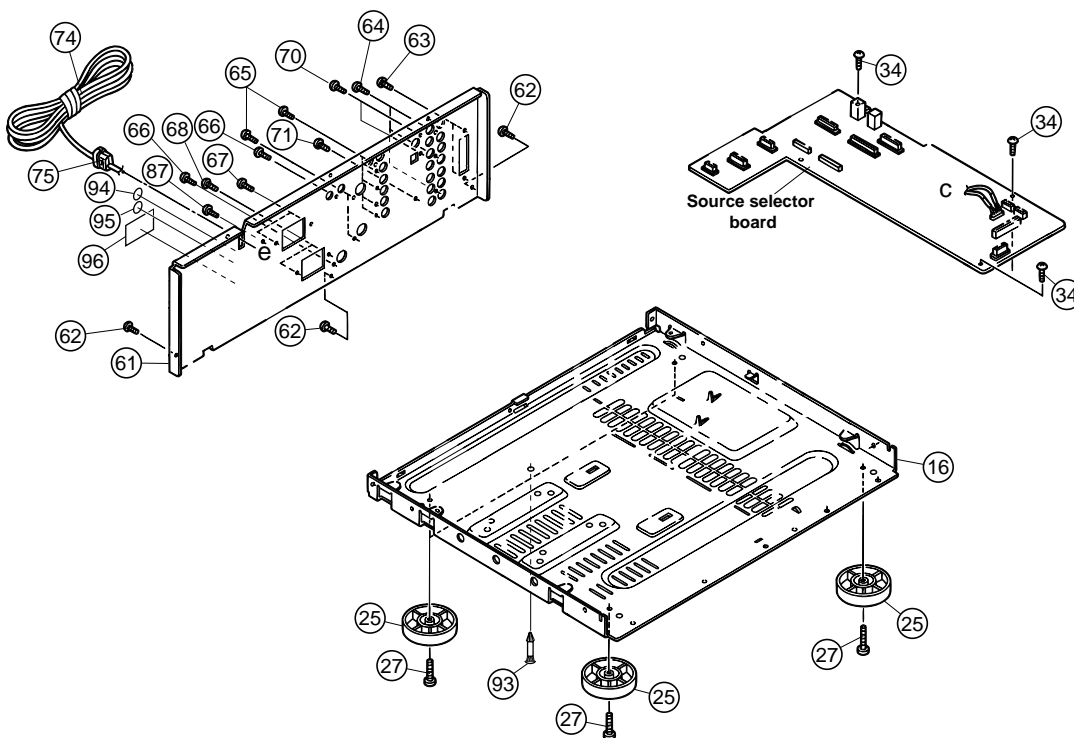
△	Item	Parts name	RX-6000VBK(U)		RX-6000VBK(UF)	
			Parts number	Q'ty	Parts number	Q'ty
	A 1	INST.BOOK (LANGUAGE)	LVT0380-005A (ENG,SPA,CHI,POR)	1	LVT0380-009A (CHI)	1
	A 2	WARRANTY CARD	-----	-	BT-59007-2	1
	A 3	SVC CENTER LIST	-----	-	BT-59009-1	1
	A 6	AC PLUG ADAPTER	QAM0054-001	1	-----	-
	A 8	AM LOOP ANT	QAL0204-001	1	QAL0014-001	1
	A11	PLUG CORD	-----	-	QAM0147-001	1

■ Parts list (General assembly)

P3-4

Block No. M1MM

⚠	Item	Parts name	RX-6001VGD(U)		RX-6001VGD(UF)	
			Parts number	Q'ty	Parts number	Q'ty
	34	T.SCREW	QYSBSG3008E	4	QYSBSG3008E	3
	36	FFC WIRE(FW304)	QUQC12-2715CJ	1	QUQ412-2715CJ	1
	37	FFC WIRE(FW811)	QUQC12-1316CJ	1	QUQ412-1316CJ	1
	42	H.S BKT(REAR SIDE)	E310172-001SM	1	E310172-003SN	1
	61	REAR PANEL	LV20555-015A	1	LV20555-018A	1
	69	SPECIAL SCREW	QYSBSGY3008M	1	-----	-
⚠	74	POWER CORD	QMP3900-200L	1	QMPR100-200-JC	1
⚠	80	FUSE(F801)	QMF51E2-5R0-J1	1	QMF51E2-2R5-J1	1
⚠	83	FUSE(F803)	QMF51E2-2R5-J1	1	-----	-
	88	SPECIAL SCREW	QYSBSGY3008M	2	-----	-
	93	FASTENER	-----	-	LV30384-001A	1
	94	CCIB LABEL	-----	-	LV41768-001A	1
	95	CCEE LABEL	-----	-	E409372-001	1
	96	UF LABEL	-----	-	LV30092-093A	1



■ Electrical parts list (FL display&System control board)

P3-6

Block No. 01

⚠	Item	Parts name	RX-6001VGD(U)		RX-6001VGD(UF)	
			Parts number	Parts number	Parts number	Parts number
	C 563	M.CAPACITOR	QFLC1HJ-103Z	QFN31HJ-103Z	QFN31HJ-103Z	QFN31HJ-103Z
	C 727	M.CAPACITOR	QFLC1HJ-103Z	QFN31HJ-103Z	QFN31HJ-103Z	QFN31HJ-103Z
	C 728	M.CAPACITOR	QFLC1HJ-103Z	QFN31HJ-103Z	QFN31HJ-103Z	QFN31HJ-103Z
	C1512	M.CAPACITOR	QFLC1HJ-103Z	QFN31HJ-103Z	QFN31HJ-103Z	QFN31HJ-103Z
	C1543	M.CAPACITOR	QFLC1HJ-473Z	QFN31HJ-473Z	QFN31HJ-473Z	QFN31HJ-473Z
	C1544	M.CAPACITOR	QFLC1HJ-473Z	QFN31HJ-473Z	QFN31HJ-473Z	QFN31HJ-473Z

■ Electrical parts list (Power supply&Main board)

P3-9

Block No. 02

△	Item	Parts name	RX-6001VGD(U)		RX-6001VGD(UF)	
			Parts number		Parts number	
	C 512	M.CAPACITOR	QFLC1HJ-103Z		QFN31HJ-103Z	
	C 543	M.CAPACITOR	QFLC1HJ-473Z		QFN31HJ-473Z	
	C 544	M.CAPACITOR	QFLC1HJ-223Z		QFN31HJ-223Z	
	C 581	M.CAPACITOR	QFLC1HJ-473Z		QFN31HJ-473Z	
	C 582	M.CAPACITOR	QFLC1HJ-223Z		QFN31HJ-223Z	
	C 771	M.CAPACITOR	QFLC1HJ-473Z		QFN31HJ-473Z	
	C 772	M.CAPACITOR	QFLC1HJ-473Z		QFN31HJ-473Z	
	C 773	M.CAPACITOR	QFLC1HJ-223Z		QFN31HJ-223Z	
	C 774	M.CAPACITOR	QFLC1HJ-223Z		QFN31HJ-223Z	
	EP800	GRAND TERMINAL	E409182-001SM		-----	
	FC805	FUSE CLIP	QNG0020-001Z		-----	
	FC806	FUSE CLIP	QNG0020-001Z		-----	
	LA801	T6R3 FUSE LABEL	E67132-T5R0		-----	
△	VS801	VOLTAGE SWITCH	QSW0812-001		-----	

■ Electrical parts list (Source selector board)

P3-13

Block No. 03

△	Item	Parts name	RX-6001VGD(U)		RX-6001VGD(UF)	
			Parts number		Parts number	
	C 181	M.CAPACITOR	QFLC1HJ-562Z		QFN31HJ-562Z	
	C 182	M.CAPACITOR	QFLC1HJ-562Z		QFN31HJ-562Z	
	C 305	M.CAPACITOR	QFLC1HJ-182Z		QFN31HJ-182Z	
	C 306	M.CAPACITOR	QFLC1HJ-182Z		QFN31HJ-182Z	
	C 307	M.CAPACITOR	QFLC1HJ-682Z		QFN31HJ-682Z	
	C 308	M.CAPACITOR	QFLC1HJ-682Z		QFN31HJ-682Z	
	C 373	M.CAPACITOR	QFLC1HJ-153Z		QFN31HJ-153Z	
	C 374	M.CAPACITOR	QFLC1HJ-153Z		QFN31HJ-153Z	
	C1007	M.CAPACITOR	QFLC1HJ-223Z		QFN31HJ-223Z	
	C1008	M.CAPACITOR	QFLC1HJ-223Z		QFN31HJ-223Z	

■ Parts list(Packing)

P3-23

Block No. M2MM

△	Item	Parts name	RX-6001VGD(U)		RX-6001VGD(UF)	
			Parts number	Q'ty	Parts number	Q'ty
	P 1	PACKING CASE	LV30044-0F5A	1	LV20806-004A	1
	P 2	PACKING PAD(F)	LV20231-001A	1	LV20231-201A	1
	P 3	PACKING PAD(R)	LV20232-001A	1	LV20232-201A	1
	P 4	SHEET	LV32034-001A	2	-----	-

■ Parts list(Accessories)

P3-23

Block No. M3MM

△	Item	Parts name	RX-6001VGD(U)		RX-6001VGD(UF)	
			Parts number	Q'ty	Parts number	Q'ty
	A 1	INST.BOOK (LANGUAGE)	LVT0380-005A (ENG,SPA,CHI,POR)	1	LVT0380-009A (CHI)	1
	A 2	WARRANTY CARD	-----	-	BT-59007-2	1
	A 3	SVC CENTER LIST	-----	-	BT-59009-1	1
	A 6	AC PLUG ADAPTER	QAM0054-001	1	-----	-
	A 8	AM LOOP ANT	QAL0204-001	1	QAL0014-001	1
	A11	PLUG CORD	-----	-	QAM0147-001	1

JVC

VICTOR COMPANY OF JAPAN, LIMITED

AUDIO & COMMUNICATION BUSINESS DIVISION

PERSONAL & MOBILE NETWORK BUSINESS UNIT 10-1,1Chome,Ohwatari-machi,Maebashi-city,371-8543,Japan